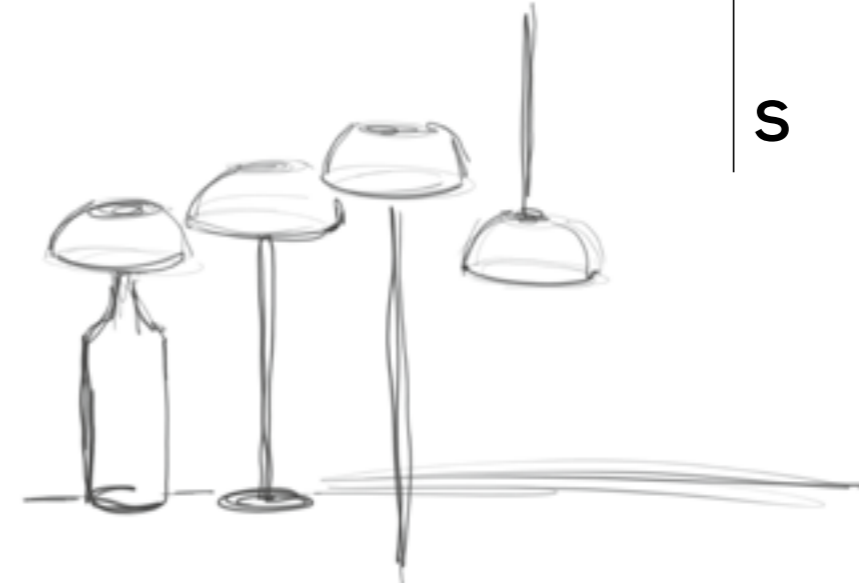


float

Mario Alessiani



S

LTFLOATXNELEED
SPFLOATXNELEED



float

Mario Alessiani

Lampada multifunzionale portatile a batteria, con sorgente a led integrato, adatta per interni ed esterni. Struttura realizzata in alluminio e acciaio inox con diffusore in PC ad alta efficienza. Dimmerabile a 5 livelli. Autonomia 9h con kit batterie sostituibili e ricaricabili per almeno 500 cicli.

Multifunctional mobile battery lamp with integrated led source, for indoor and outdoor applications. Aluminum and stainless steel structure, high efficiency PC diffusor. Dimmable 5 steps. 9 hours runtime with replaceable battery kit with at least 500 recharging cycles.

GENERAL INFORMATION

CE  EAC  500 cycles  9 hours

COLOURS

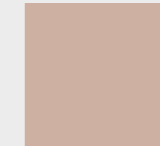


white

blue

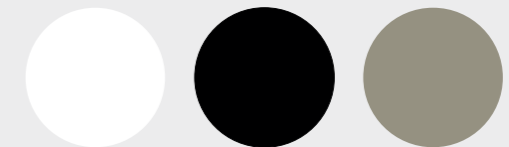
black

concrete green



mauve dust

COLOURS TOP



white

black

concrete grey



«L'idea di Float nasce da un'ispirazione romantica, legata all'immagine di una candela accesa su una vecchia bottiglia vuota riposta sul tavolo di un ristorante. Un simbolo di semplicità, incredibilmente forte e poetico.»

Mario Alessiani

"The idea of Float comes from a romantic inspiration, linked to the image of a candle lit on an old empty bottle placed on a restaurant table. A symbol of simplicity, strong and poetic."

Mario Alessiani



float

Mario Alessiani

LT FLOATX
kg 0,90 m³ 0,007

 5 steps IP55 **LED**

FLOAT / table lamp / wall lamp / suspension / for installation on bottles

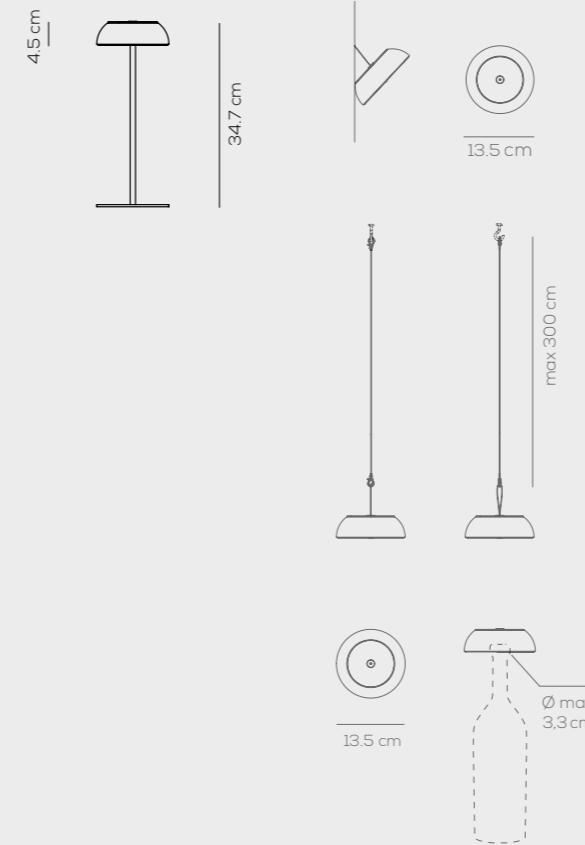
2700K

LED 3,5W - diffuser beam
~ 200 lm 57,14 lm/W source

Colours

BC white / BC white
BL blue / BC white
NE black / NE black
CG concrete green / CO concrete grey
MD mauve dust / BC white

example composition code
LT FLOATX BL BC LED



LTFLOATXCGCOLED
LTFLOATXMDBCLED
SPFLOATXBLBCLED



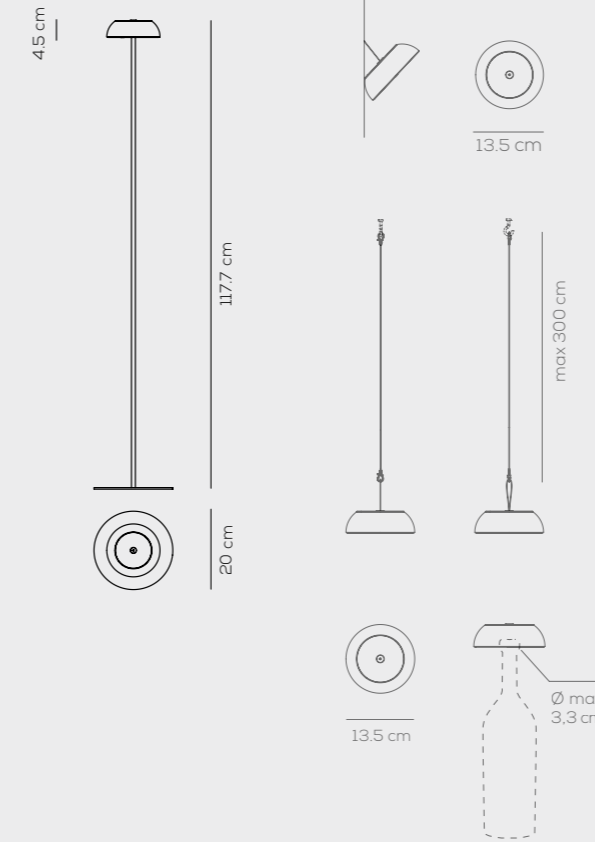
PTFLOATXMDBCLEd



float

Mario Alessiani

PTFLOATX
kg 0,90 m³ 0,007



5 steps IP55 **LED**

FLOAT / floor lamp / wall lamp / suspension / for installation on bottles

2700K

LED 3,5W - diffuser beam
~ 200 lm 57,14 lm/W source

Colours

- BC white / BC white
- BL blue / BC white
- NE black / NE black
- CG concrete green / CO concrete grey
- MD mauve dust / BC white

example composition code
PT FLOATX BL BC LED

PTFLOATXNELEd



Project: Francesca Muraca

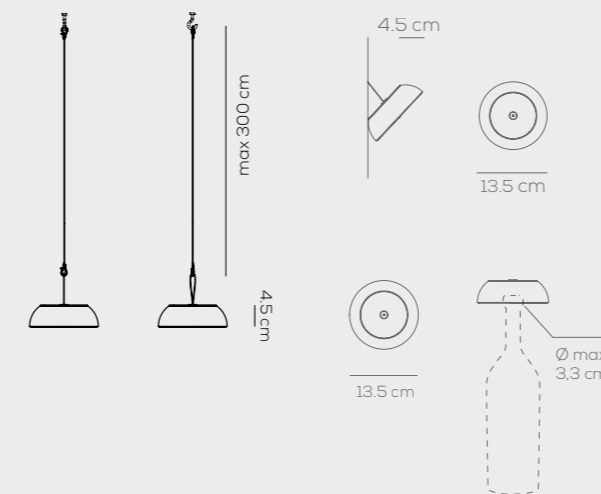
SPFLOATXNENELED




float

Mario Alessiani

SP FLOAT
kg 0,40 m³ 0,0025



 5 steps IP55 **LED**

FLOAT / suspension lamp / wall lamp / for installation on bottles

2700K

LED 3,5W - diffuser beam
~ 200 lm 57,14 lm/W source

Colours

BC white / BC white

BL blue / BC white

NE black / NE black

CG concrete green / CO concrete grey

MD mauve dust / BC white

example composition code

SP FLOATX BL BC LED

SPFLOATXMDBCLEL / SPFLOATXBLBCLLED / SPFLOATXCGCOLED

